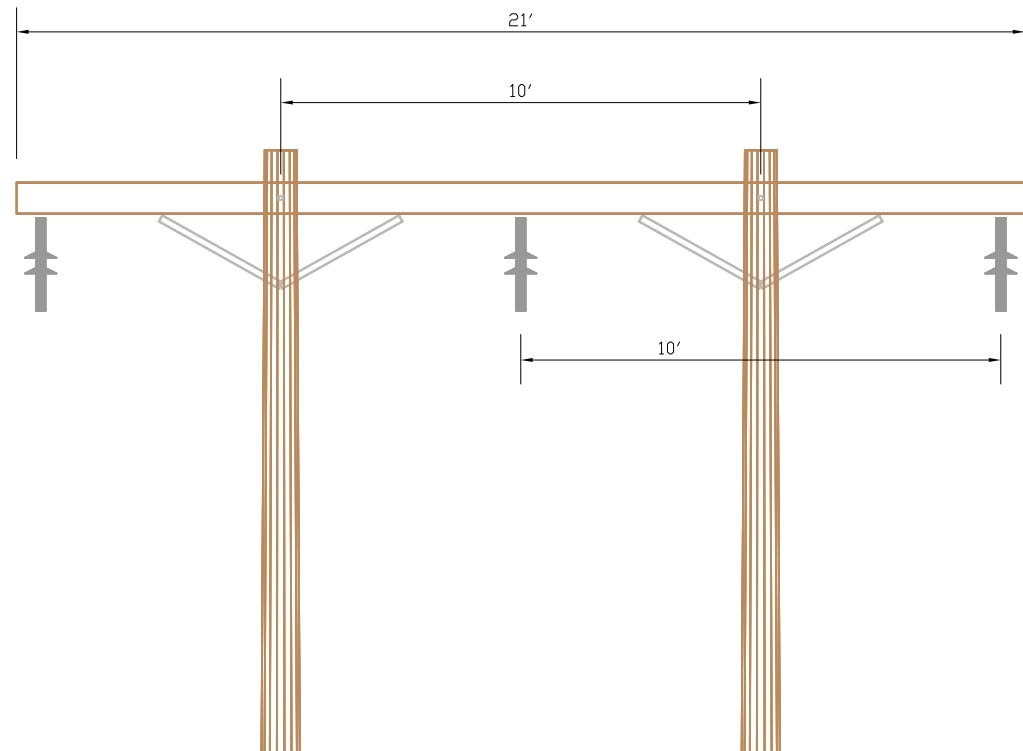
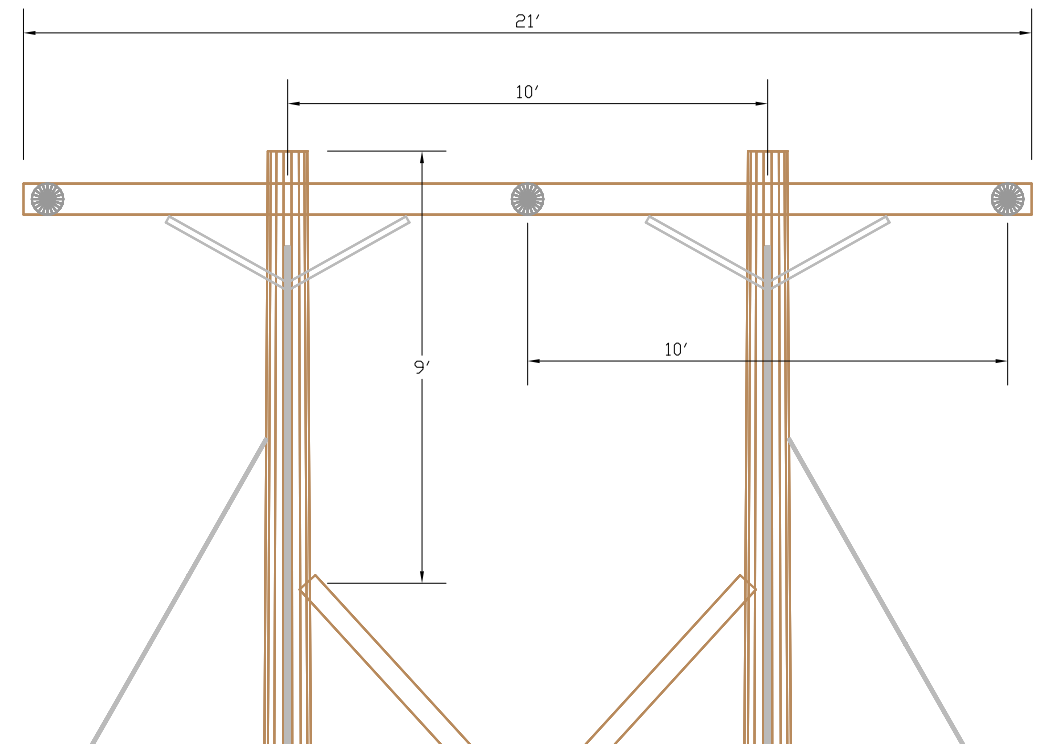


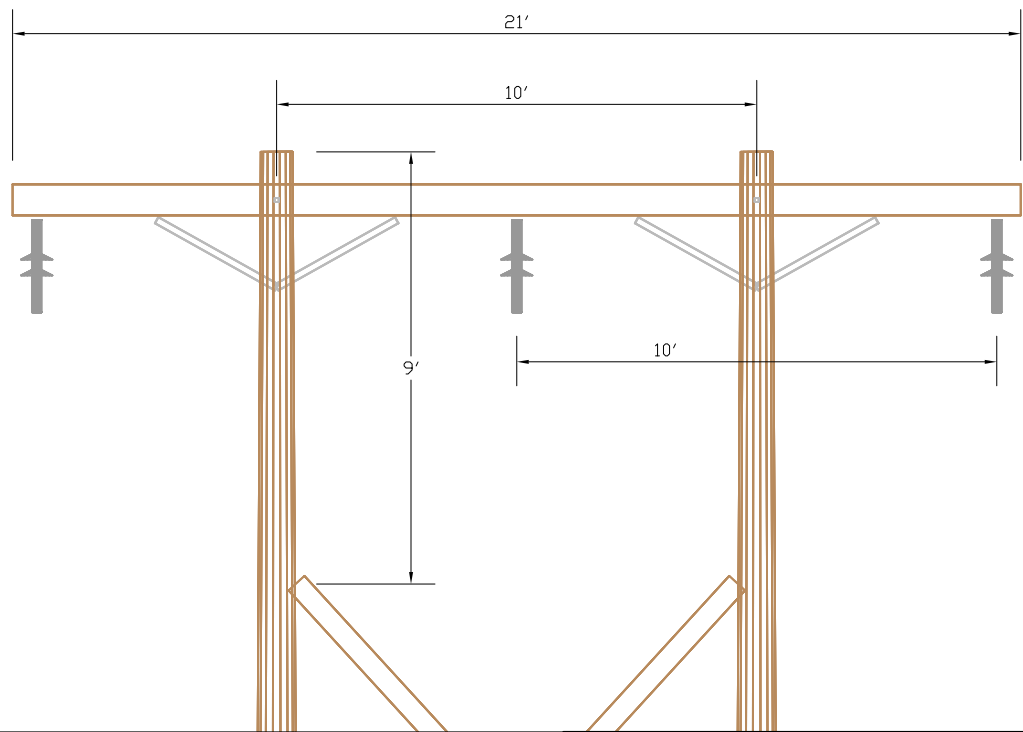
Single Circuit H-Frame Tangent - A



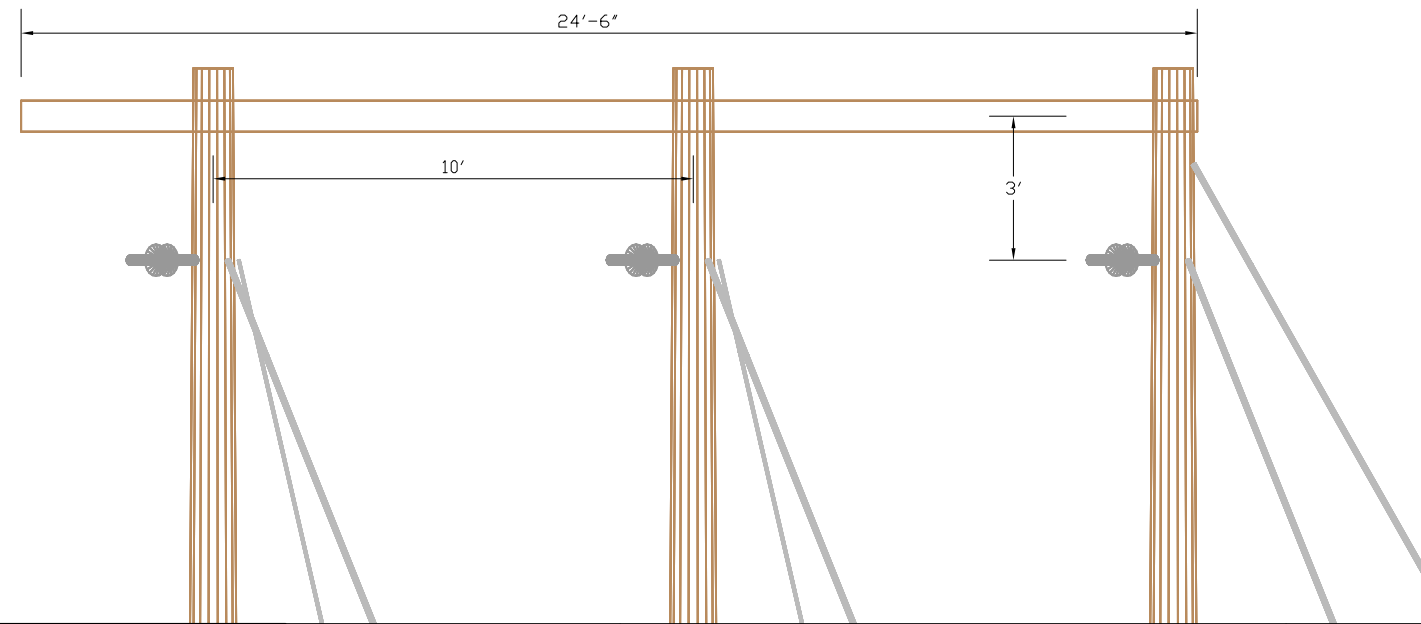
Single Circuit H-Frame Dead End - E



Single Circuit H-Frame Tangent (Double Crossarm) - D



Single Circuit H-Frame Dead End Angle - DA



NOT FOR CONSTRUCTION

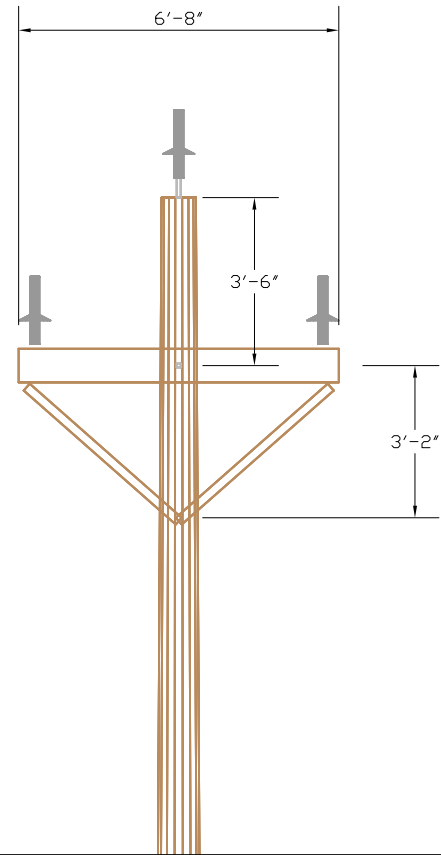
NO.	REVISION/ISSUE	DATE

RLC
ENGINEERING
18 Meadow Road
P.O. Box 722
Augusta, ME 04332
Phone 207-621-1077

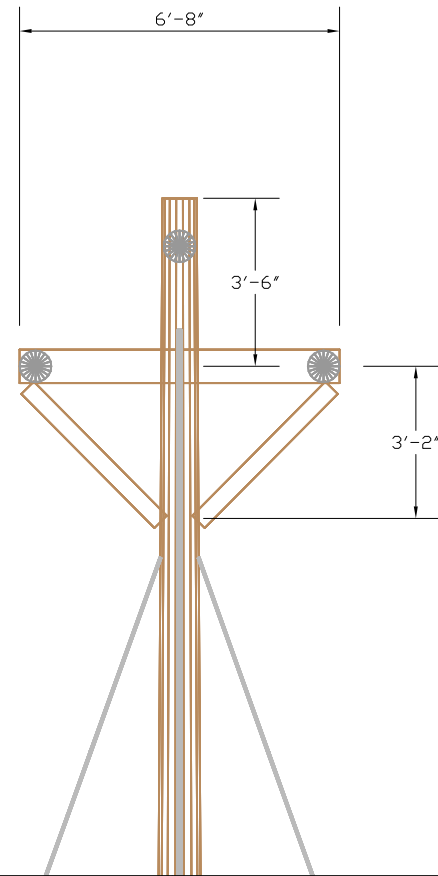
KINGDOM COMMUNITY WIND
GREEN MOUNTAIN POWER
VERMONT
**H-FRAME SINGLE CIRCUIT
STRUCTURE DETAILS**

PROJECT #:	27002
ENG'N'D BY:	ARH
DRAWN BY:	ARH
DATE:	4-16-10

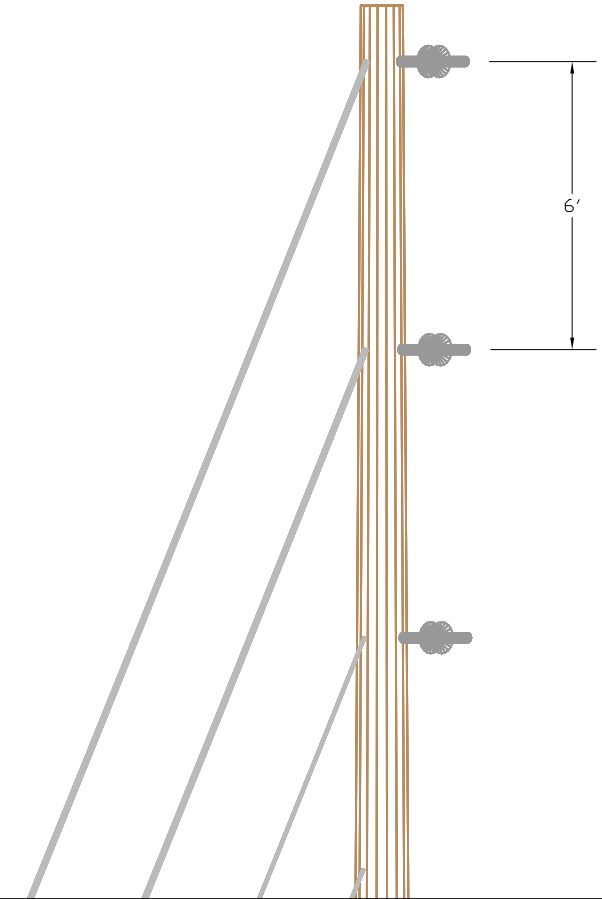
Single Circuit Tangent - SX



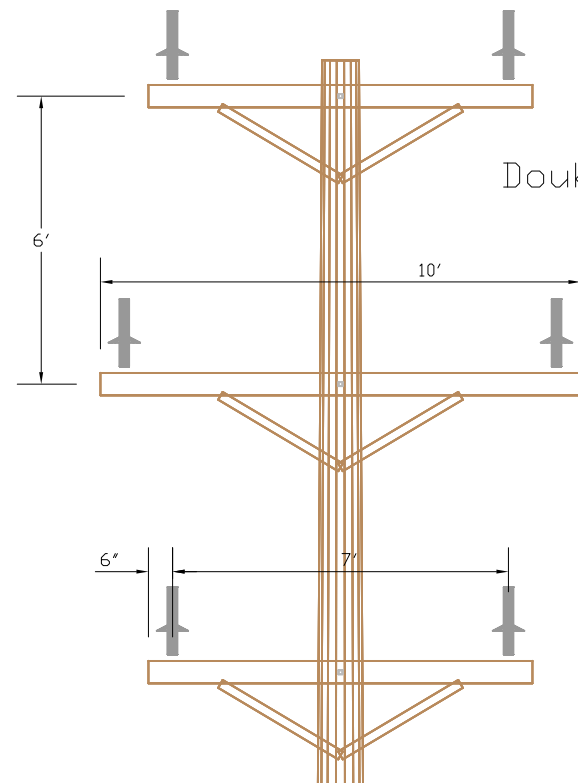
Single Circuit Dead End - DE



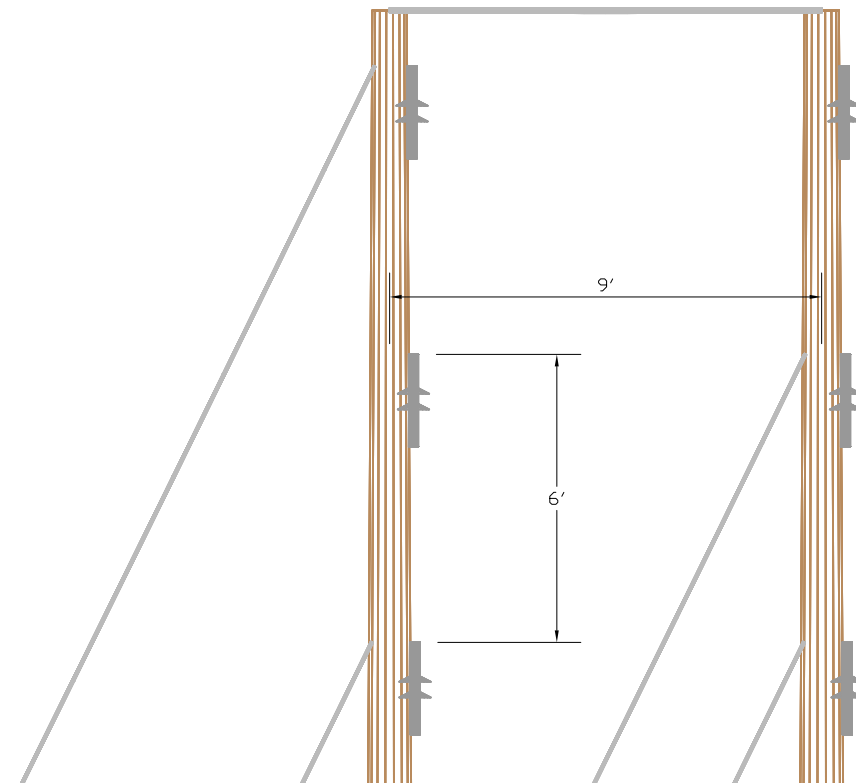
Single Circuit Dead End Angle - DEB



Double Circuit Tangent - TX



Double Circuit Angle - DCSB



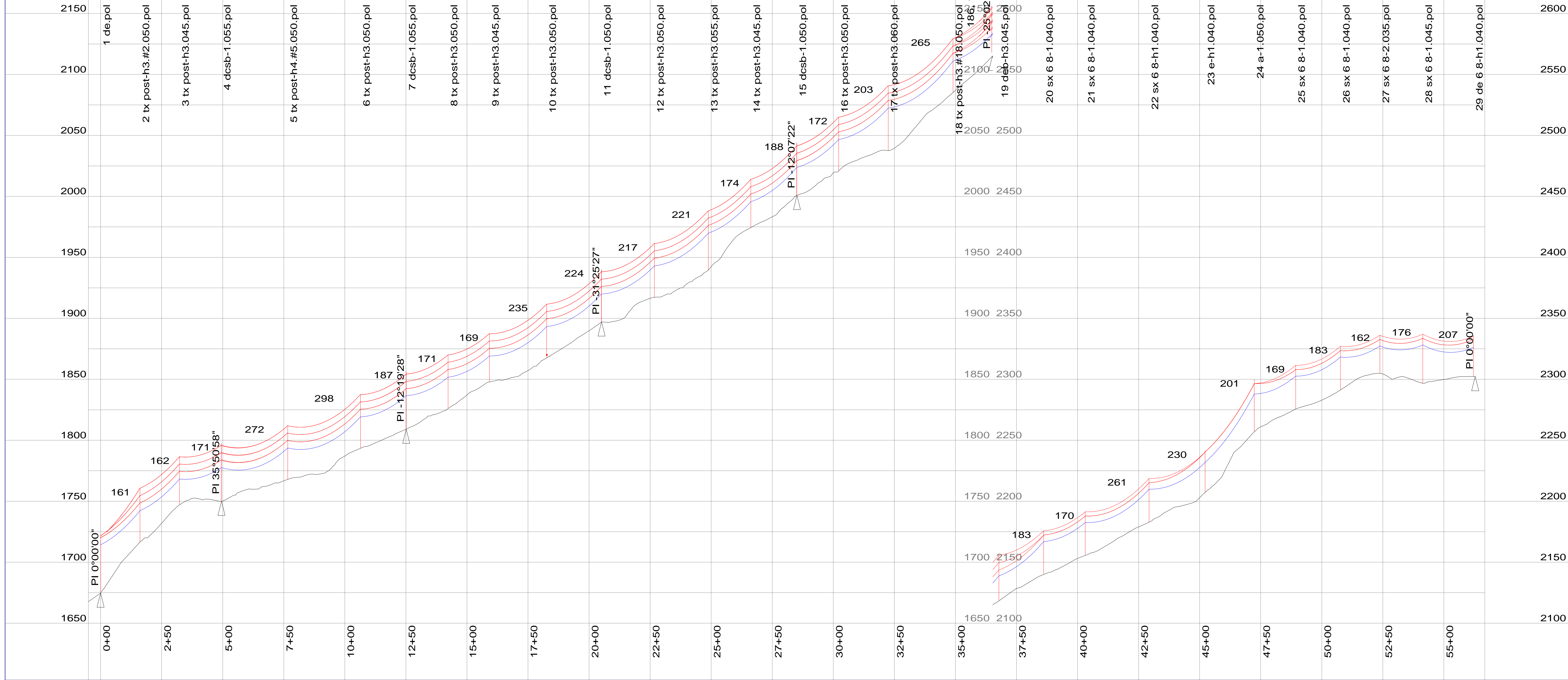
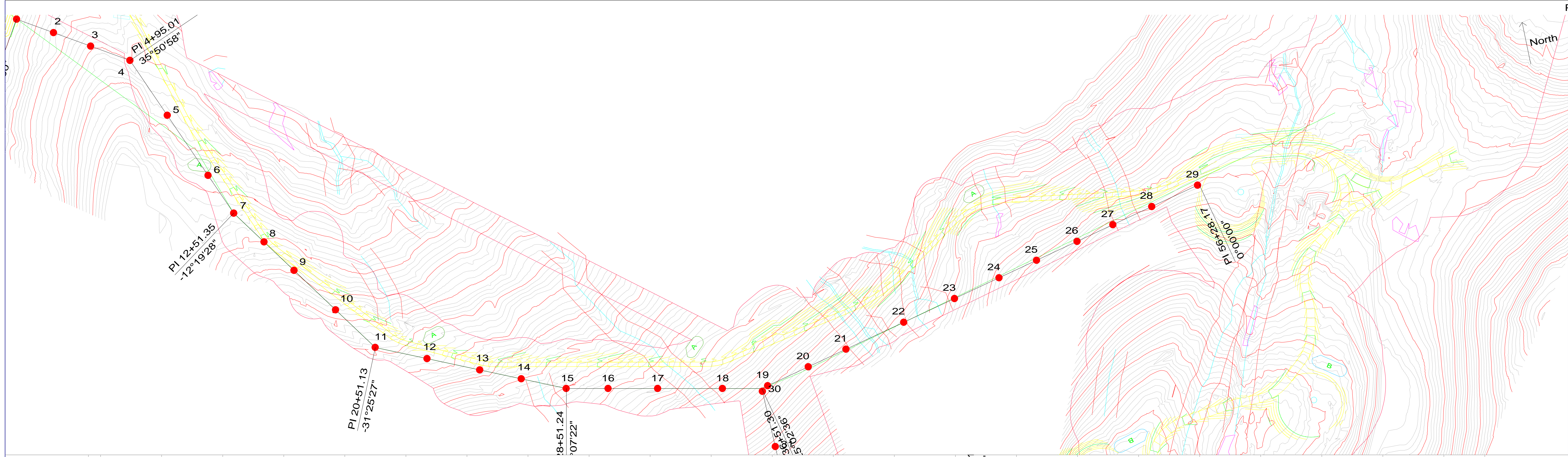
NOT FOR CONSTRUCTION

NO.	REVISION/ISSUE	DATE

RLC
ENGINEERING
18 Meadow Road
P.O. Box 722
Augusta, ME 04332
Phone 207-621-1077

KINGDOM COMMUNITY WIND
GREEN MOUNTAIN POWER
VERMONT
**SINGLE AND DOUBLE CIRCUIT
STRUCTURE DETAILS**

PROJECT #:	27002
ENG'N'D BY:	ARH
DRAWN BY:	ARH
DATE:	4-16-10



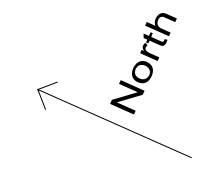
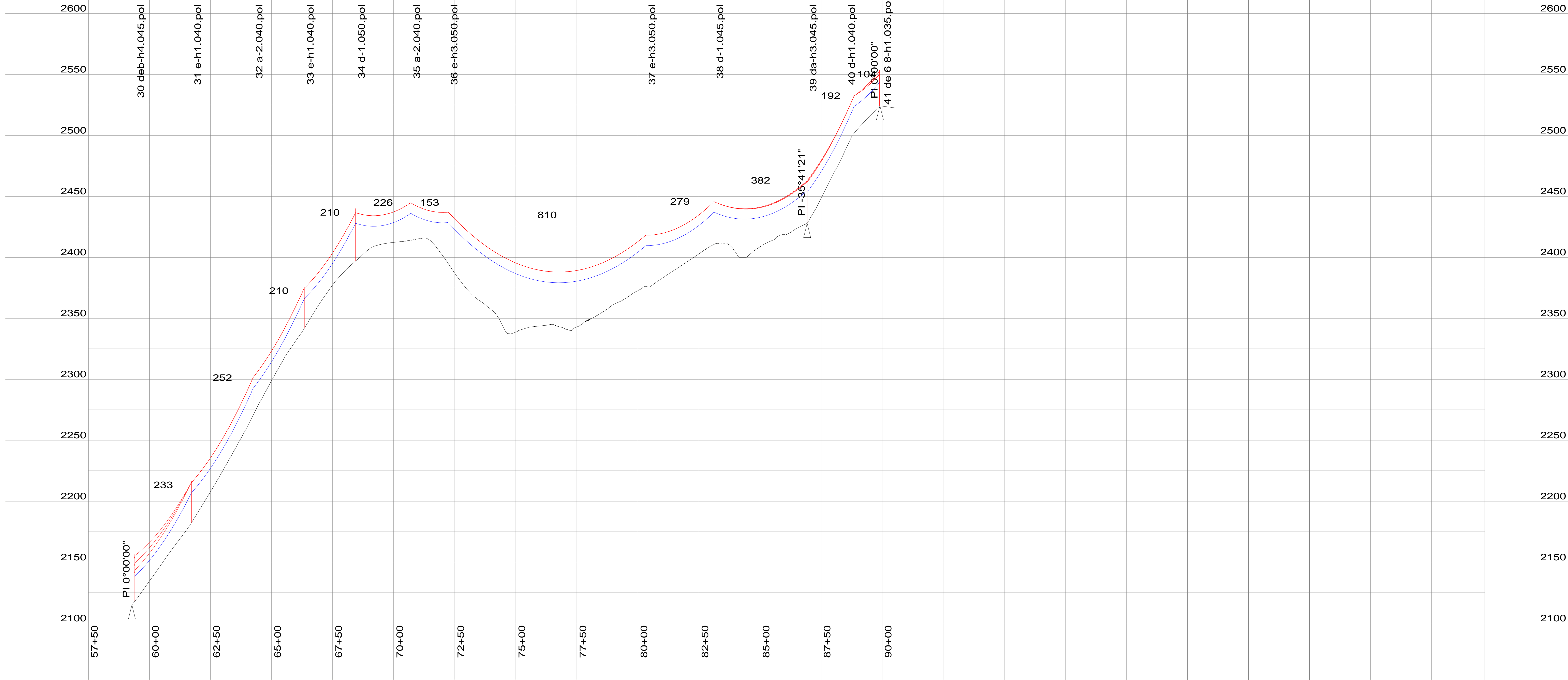
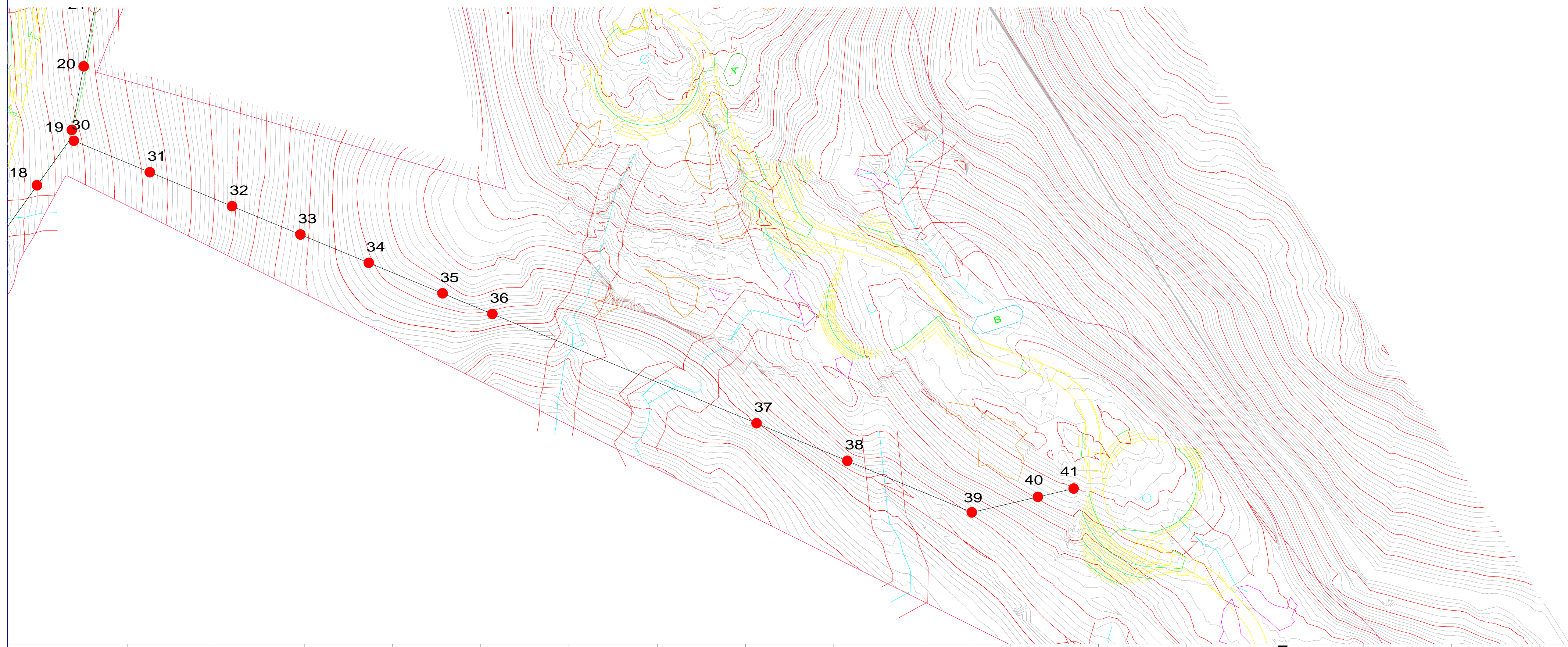
PLS-CADD Drawing
 Date
 Drawn By
 Revision

Designed By
 Date
 Scale
 Approved By
 Checked By

KINGDOM COMMUNITY WIND
 Project Location
 LOWELL, VT
 Drawing Description
 34.5kV COLLECTOR SYSTEM

Project Number
27002
 Engineer
RLC ENGINEERING
 18 MEADOW ROAD
 P.O. Box 722
 AUGUSTA, ME 04332
 207.621.1077
 Phase
PRELIM
 Sheet Number
1

NOT FOR CONSTRUCTION



PLS-CADD Drawing

Drawn By	ARH
Checked By	
Designation	

Designed By	ARH
Date	4/15/2010
Scale	1:200H 1:40V
Approved By	
Checked By	

KINGDOM COMMUNITY WIND
 Project Location: **LOWELL, VT**
 Drawing Description: **34.5kV COLLECTOR SYSTEM**

Project Number: **27002**

Engineer: **RLC ENGINEERING**

18 MEADOW ROAD
 P.O. Box 722
 AUGUSTA, ME 04332
 207.621.1077

Phase: **PRELIM**

Sheet Number: **2**

NOT FOR CONSTRUCTION